

# 287/289 True-rms Digital Multimeters

[www.fluke.com](http://www.fluke.com)

[www.fluke.com](http://www.fluke.com) to register your product and find more information.

To view, print or download the latest manual or supplement, visit [www.fluke.com/user/support/manuals](http://www.fluke.com/user/support/manuals).

To download SmartView® software visit [www.fluke.com/smartview/download](http://www.fluke.com/smartview/download).

To download the Fluke Connect™ app, go to iTunes or Google play and download Fluke Connect.

123.45 V

500V

COM V

26.5 °C

200.0

COM V

Menu

- mVDC
- REL
- Peak
- AC+DC
- Temp
- Hz, %, ms

F1 = °F

F2 = °C

80BK - A Thermocouple Probe

26.55 nS

50n

COM V

Menu

- ohms, nS
- REL
- Beeper

Ohms nS ||) Close

26.55 nS

50n

COM V

Menu

- ohms, nS
- REL
- Beeper

Ohms nS ||) Close

26.52 µF

50n

COM V

Menu

- Diode, Cap
- REL

Diode Cap Close

F2 = CAP

2.5527 A AC

50n

COM V

A mA µA

19.783 mA AC

50n

COM V

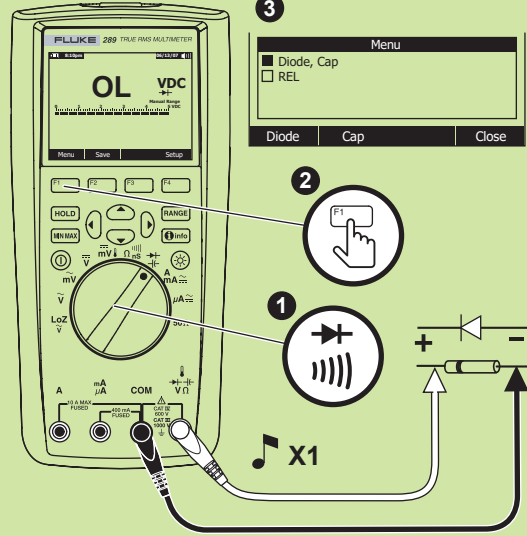
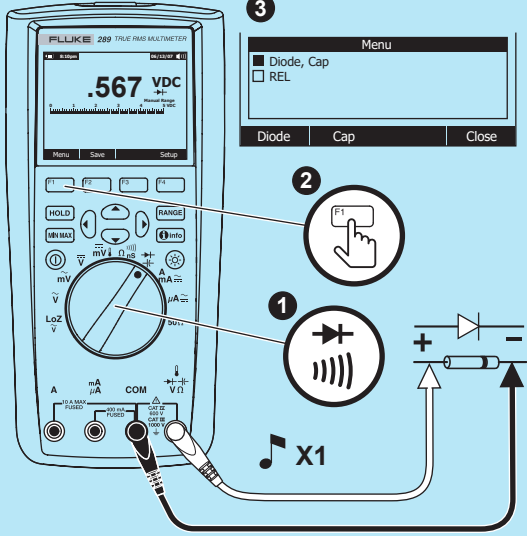
A mA µA

4.863 µA AC

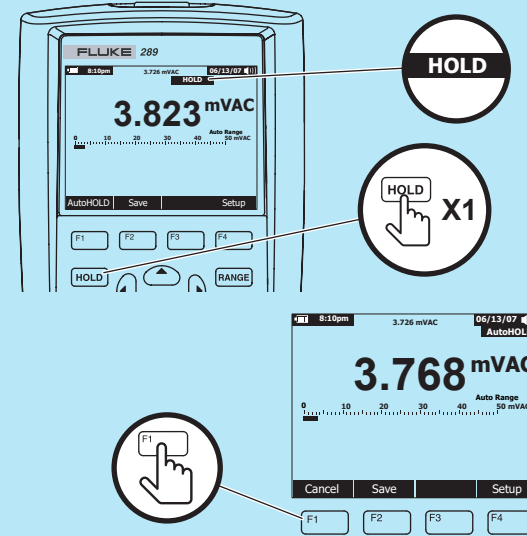
50n

COM V

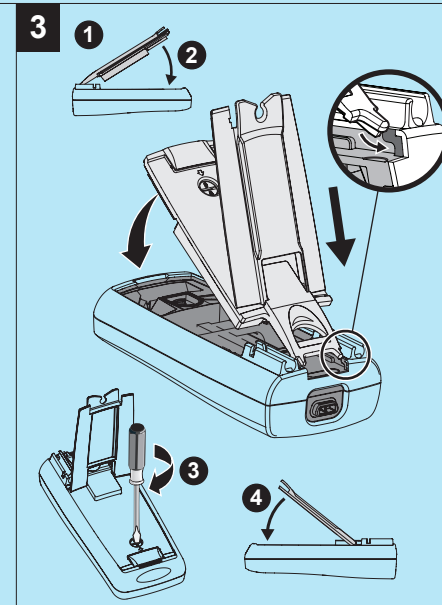
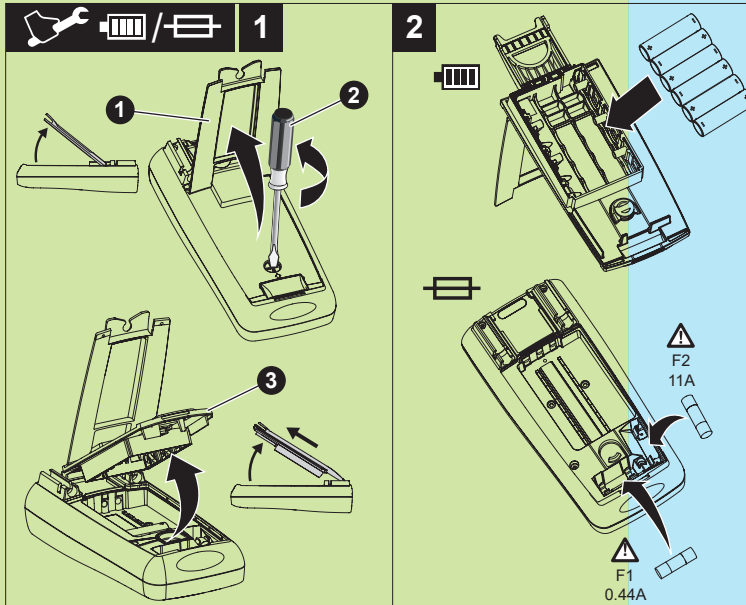
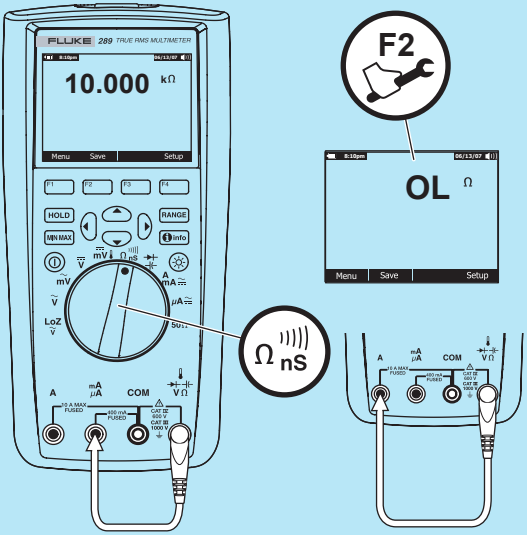
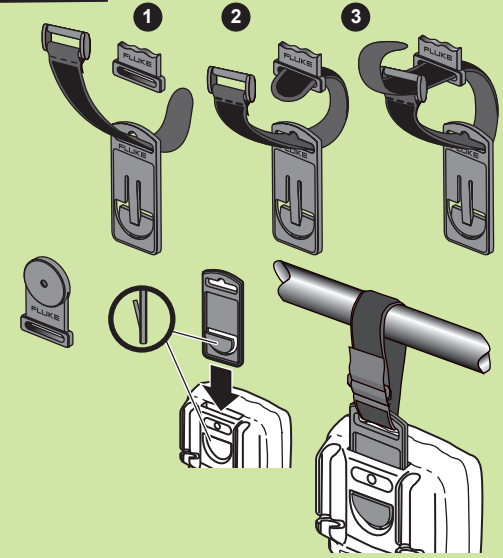
A mA µA



### Hold/AutoHold



### ToolPak



### Info

