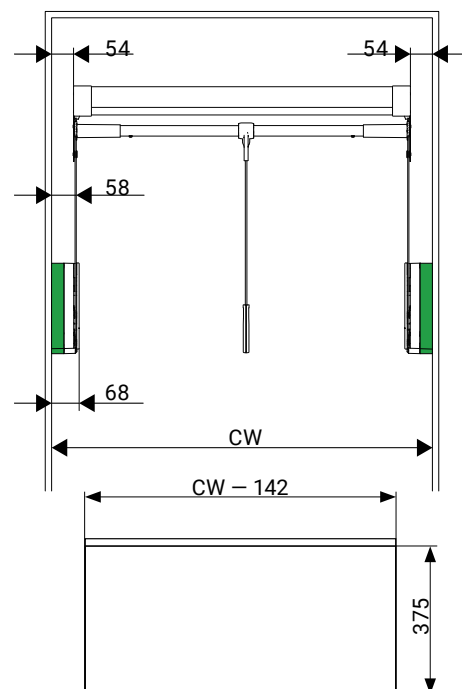
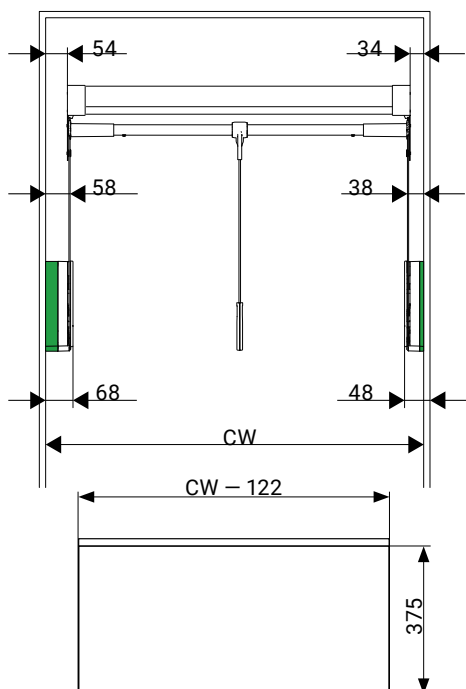
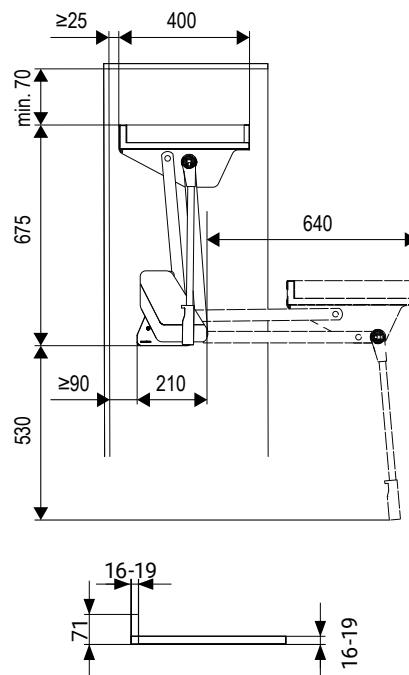
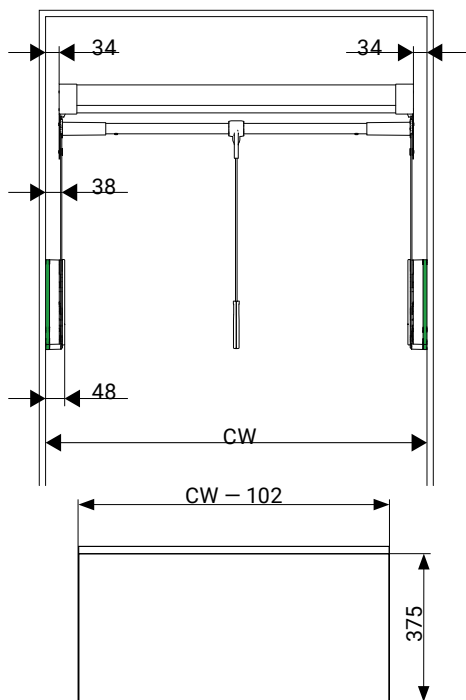


CONERO Wardrobe lift TOP



- Creates additional storage space for e.g. handbags, hats and accessories above the clothes rail
- Combines easy access and utilization of the entire cabinet height by swinging down the clothes
- Comfortable operation with both low and full loads
- Gentle and safe lowering even when fully loaded thanks to self-regulating power assistance



CONERO Wardrobe lift TOP

CONERO Wardrobe lift TOP

Clear Cabinet Width (CW)*	Pay-load (kg)	Load capacity*** (max.)	System weight (max.)	Powder Black PU 1	Powder Gold PU 1
445-628	**	20	25	238282 7021	238282 9853
625-808	**	20	25	238283 7021	238283 9853
805-988	**	20	25	238284 7021	238284 9853
985-1168	**	20	25	238285 7021	238285 9853

*The use of shims increases the necessary clear cabinet width by 20 mm each.

**Payload = load capacity - 2 kg - weight of wooden shelf.

***Load capacity = payload + 2 kg (max. weight of control lever and clothes rail) + weight of wooden shelf (max. 6 kg).

Scope of delivery without wooden floor.



Set CONERO Wardrobe lift shim

consisting of:

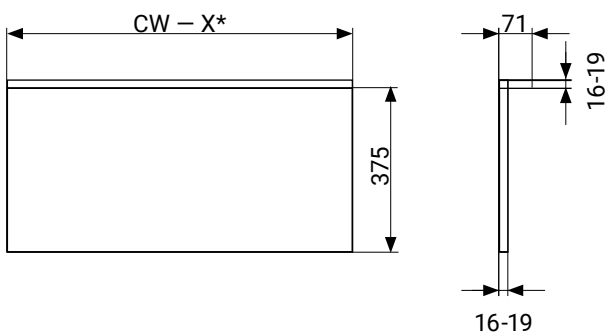
1 x Shim

1 x Installation material

Dimension L x P x H	Color	PU 10
30 x 213 x 229	Black	238722 7818



Construction dimensions wooden floor



*Width dependencies: see left